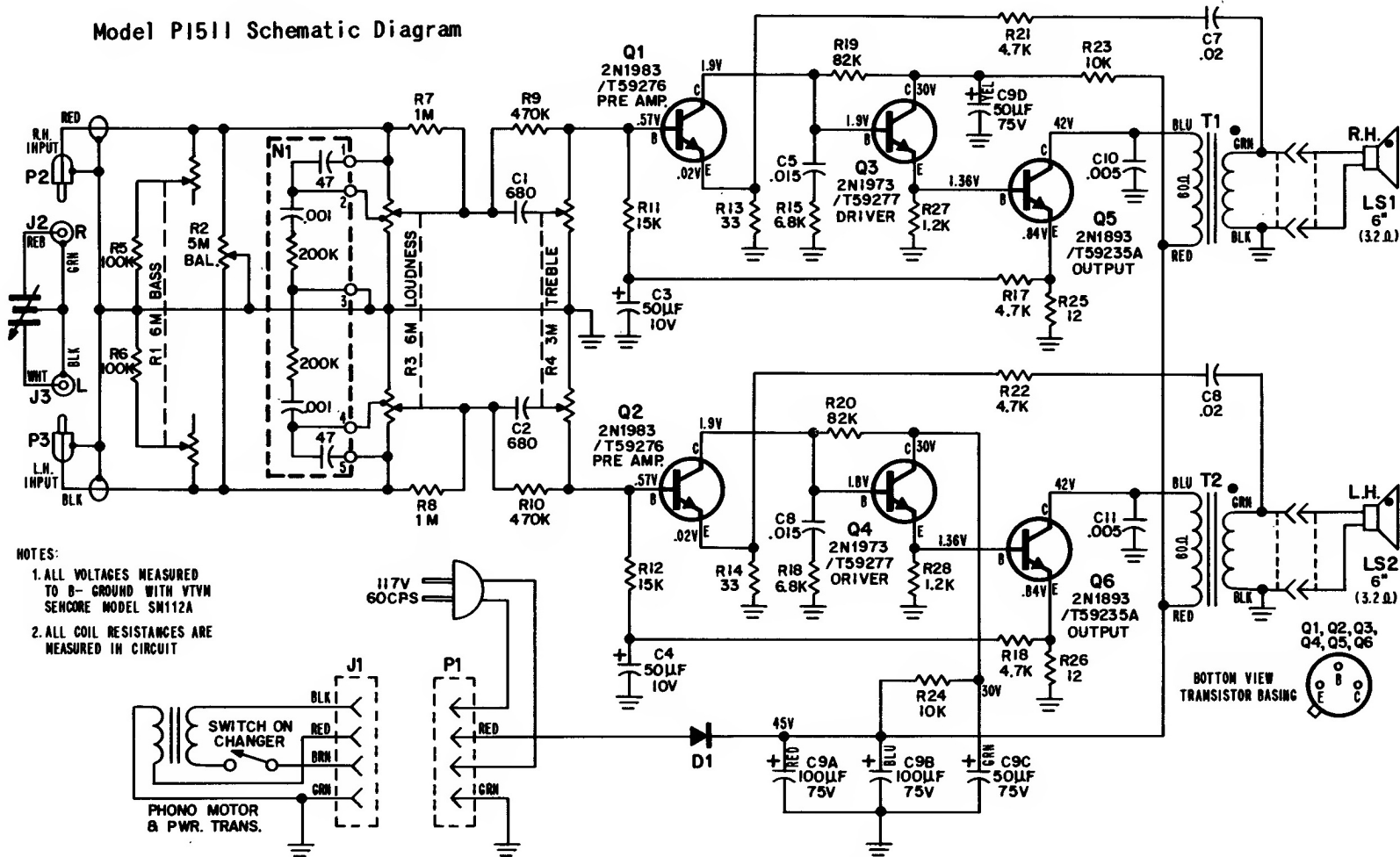


# Model P1511 Schematic Diagram



### NOTES:

1. ALL VOLTAGES MEASURED TO B-GROUND WITH VTVM SENCORE MODEL SM112A
2. ALL COIL RESISTANCES ARE MEASURED IN CIRCUIT

4. Disconnect changer power plug and two audio plugs (red & black).
5. Lift changer forward and slide rear end to the right to release mounting bolt at left rear of base plate.

### CHASSIS REMOVAL - MODELS P1446 & P1511

1. Remove rear access panel (4 screws).
2. Remove cable hold down clips.
3. Remove knobs (Balance, Tone, Loudness & Treble).
4. Remove bushing nuts (3) from control shafts.
5. Lift chassis out from rear of cabinet.
6. Disconnect cables as necessary

### TRANSISTOR VOLTAGES

	C	B	E	
PRE AMPS	Q1 - Q2	1.9V	.57V	.02V
DRIVERS	Q3 - Q4	30V	1.9V	1.36V
OUTPUTS	Q5 - Q6	42V	1.36V	.84V

PHILCO Model P1511